



Potato Cutters
Items 24242, 24489, 24598
Instruction Manual



Revised - 02/03/2022

Toll Free: 1-800-465-0234
Fax: 905-607-0234
Email: service@omcan.com
www.omcan.com



Table of Contents

Item 24242 / Item 24489 / Item 24598

Section	Page
General Information -----	3 - 4
Safety and Warranty -----	4 - 5
Technical Specifications -----	5
Operation -----	6
Maintenance -----	6
Parts Breakdown -----	7 - 9
Notes -----	10
Warranty Registration -----	11



General Information

Omcan Manufacturing and Distributing Company Inc., Food Machinery of America, Inc. dba Omcan and Omcan Inc. are not responsible for any harm or injury caused due to any person's improper or negligent use of this equipment. The product shall only be operated by someone over the age of 18, of sound mind, and not under the influence of any drugs or alcohol, who has been trained in the correct operation of this machine, and is wearing authorized, proper safety clothing. Any modification to the machine voids any warranty, and may cause harm to individuals using the machine or in the vicinity of the machine while in operation.

CHECK PACKAGE UPON ARRIVAL

Upon receipt of an Omcan shipment please inspect for external damage. If no damage is evident on the external packaging, open carton to ensure all ordered items are within the box, and there is no concealed damage to the machine. If the package has suffered rough handling, bumps or damage (visible or concealed), please note it on the bill of lading before accepting the delivery and contact Omcan within 24 hours, so we may initiate a claim with the carrier. A detailed report on the extent of the damage caused to the machine must be filled out within three days, from the delivery date shown in the shipping documents. Omcan has no recourse for damaged products that were shipped collect or third party.

Before operating any equipment, always read and familiarize yourself with all operation and safety instructions.

Omcan would like to thank you for purchasing this machine. It's of the utmost importance to save these instructions for future reference. Also save the original box and packaging for shipping the equipment if servicing or returning of the machine is required.

Omcan Fabrication et distribution Compañie Limité et Food Machinery d'Amerique, dba Omcan et Omcan Inc. ne sont pas responsables de tout dommage ou blessure causé du fait que toute personne ait utilisé cet équipement de façon irrégulière. Le produit ne doit être exploité que par quelqu'un de plus de 18 ans, saine d'esprit, et pas sous l'influence d'une drogue ou d'acohol, qui a été formé pour utiliser cette machine correctement, et est vêtu de vêtements de sécurité approprié. Toute modification de la machine annule toute garantie, et peut causer un préjudice à des personnes utilisant la machine ou des personnes à proximité de la machine pendant son fonctionnement.

VÉRIFIEZ LE COLIS DÈS RÉCEPTION

Dès réception d'une expédition d'Omcan veuillez inspecter pour dommages externes. Si aucun dommage n'est visible sur l'emballage externe, ouvrez le carton afin de s'assurer que tous les éléments commandés sont dans la boîte, et il n'y a aucun dommage dissimulé à la machine. Si le colis n'a subi aucune mauvaises manipulations, de bosses ou de dommages (visible ou cachée), notez-le sur le bond de livraison avant d'accepter la livraison et contactez Omcan dans les 24 heures qui suivent, pour que nous puissions engager une réclamation auprès du transporteur. Un rapport détaillé sur l'étendue des dommages causés à la machine doit être rempli dans un délai de trois jours, à compter de la date de livraison indiquée dans les documents d'expédition. Omcan n'a aucun droit de recours pour les produits endommagés qui ont été expédiées ou cueilli par un tiers transporteur.

General Information

Avant d'utiliser n'importe quel équipement, toujours lire et vous familiariser avec toutes les opérations et les consignes de sécurité.

Omcan voudrais vous remercier d'avoir choisi cette machine. Il est primordial de conserver ces instructions pour une référence ultérieure. Également conservez la boîte originale et l'emballage pour l'expédition de l'équipement si l'entretien ou le retour de la machine est nécessaire.

Omcan Empresa De Fabricacion Y Distribucion Inc. Y Maquinaria De Alimentos De America, Inc. dba Omcan y Omcan Inc. no son responsables de ningun daño o perjuicio causado por cualquier persona inadecuada o el uso descuidado de este equipo. El producto solo podra ser operado por una persona mayor de 18 años, en su sano juicio y no bajo alguna influencia de droga o alcohol, y que este ha sido entrenado en el correcto funcionamiento de esta máquina, y ésta usando ropa apropiada y autorizada. Cualquier modificación a la máquina anula la garantía y puede causar daños a las personas usando la máquina mientras esta en el funcionamiento.

REVISE EL PAQUETE A SU LLEGADA

Tras la recepcion de un envio Omcan favor inspeccionar daños externos. Si no hay daños evidentes en el empaque exterior, Habra el carton para asegurarse que todos los articulos solicitados estén dentro de la caja y no encuentre daños ocultos en la máquina. Si el paquete ha sufrido un manejo de poco cuidado, golpes o daños (visible o oculto) por favor anote en la factura antes de aceptar la entrega y contacte Omcan dentro de las 24 horas, de modo que podamos iniciar una reclamación con la compañía. Un informe detallado sobre los daños causados a la máquina debe ser llenado en el plazo de tres días, desde la fecha de entrega que se muestra en los documentos de envío. Omcan no tiene ningun recurso por productos dañados que se enviaron a recoger por terceros.

Antes de utilizar cualquier equipo, siempre leer y familiarizarse con todas las instrucciones de operación y seguridad.

Omcan quisiera darles las gracias por la compra de esta máquina. Es de la máxima importancia para guardar estas instrucciones para referencias en el futuro. También guarde la caja original y el embalaje para envío del equipo si el mantenimiento o la devolución de la máquina es necesaria.

Safety and Warranty

PLEASE NOTE:

Careful and close adherence with the below instructions will help enhance the operation and longevity of your OMCAN Potato Cutter. Ensure to thoroughly clean the device prior and after each use, complying by the cleaning instructions below. Minimize the use of alkaline cleansers as they may cause pitting and dulling of the finish.



Safety and Warranty

The blades are **VERY SHARP**. Please exercise caution when handling and operating the unit and keep hands away from all cutting edges and blades.

RESIDENTIAL USERS: Vendor assumes no liability for parts or labor coverage for component failure or other damages resulting from installation in non-commercial or residential applications. The right is reserved to deny shipment for residential usage; if this occurs, you will be notified as soon as possible.

6 MONTHS PARTS AND LABOUR BENCH WARRANTY

Within the warranty period, contact Omcan Inc. at 1-800-465-0234 to schedule a drop off to either an Omcan authorized service depot in the area, or to an Omcan Service warehouse to repair the equipment.

Unauthorized maintenance will void the warranty. Warranty covers electrical and part failures, not improper use.

Please see <https://omcan.com/disclaimer> for complete info.

WARNING:

The packaging components are classified as normal solid urban waste and can therefore be disposed of without difficulty.

In any case, for suitable recycling, we suggest disposing of the products separately (differentiated waste) according to the current norms.

DO NOT DISCARD ANY PACKAGING MATERIALS IN THE ENVIRONMENT!

Technical Specifications

Item Number	24242	24489	24598
Cutting Thickness	3/8" / 10mm	1/4" / 6mm	1/2" / 13mm
Packaging Weight	10 lbs. / 4.5 kgs.	11 lbs. / 5 kgs.	
Packaging Dimensions	20" x 9" x 9" 508 x 229 x 229mm	19" x 9" x 9" 483 x 229 x 229mm	

Operation

TO OPERATE

1. Hold the lever in its up position and place the product on the blades.
2. Remove hand / fingers from the cutting area and firmly bring the lever down, this causes the push plate to force the product through the blades.

Maintenance

CLEANING

Unscrew the blade assembly for cleaning, wipe down all surfaces with a damp cloth and mild detergent. Be careful when handling the sharp blades.

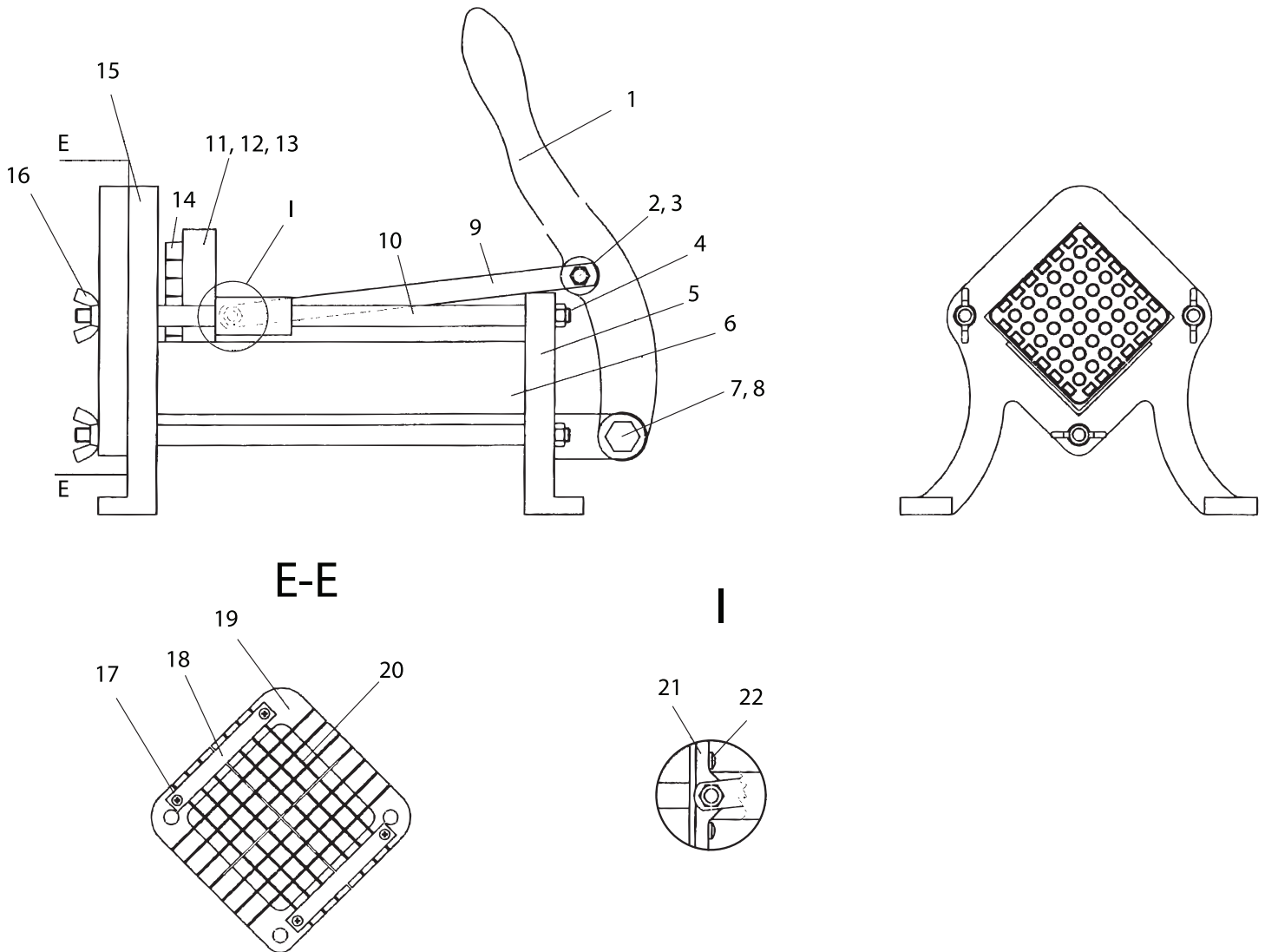
TO LUBRICATE

If the push plate does not slide freely, lubricate the guide rods with mineral oil or a food grade lubricant as needed.

Do not use cooking oil.

Parts Breakdown

Item 24242
Item 24489
Item 24598



Parts Breakdown

Item 24242

Item No.	Description	Position	Item No.	Description	Position	Item No.	Description	Position
61483	Handle for Potato Cutter for 24242	1	61491	Connecting Rod for Potato Cutter for 24242	9	61498	Sunk Screw M3x8 for Potato Cutter for 24242	17
61484	Hex Bolt M6x38 for Potato Cutter for 24242	2	61492	Connecting Screw Rod for Potato Cutter for 24242	10	61499	Blade Plate for Potato Cutter for 24242	18
61485	Tightening Nut M6 for Potato Cutter for 24242	3	61493	Guide Frame for Potato Cutter for 24242	11	61500	Blade Support for Potato Cutter for 24242	19
61486	Hex Nut M8 for Potato Cutter for 24242	4	61494	Half-Round Screw M8x24 for Potato Cutter for 24242	12	24244	Blade and Pusher for Potato Cutter 3/8" for 24242	20
61487	M Support for Potato Cutter for 24242	5	61495	Lightened Spring Washer 8 for Potato Cutter for 24242	13	61501	Connecting Rod for Potato Cutter for 24242	21
61488	Board for Potato Cutter for 24242	6	61496	Bush Board for Potato Cutter for 24242	14	61502	Half-Round Screw M5x10 for Potato Cutter for 24242	22
61489	Hex Bolt M10x135 for Potato Cutter for 24242	7	61497	Square Frame Support for Potato Cutter for 24242	15			
61490	Hex Nut M10 for Potato Cutter for 24242	8	79585	Butterfly Nut for 24242	16			

Item 24489

Item No.	Description	Position	Item No.	Description	Position	Item No.	Description	Position
61483	Handle for Potato Cutter for 24489	1	61491	Connecting Rod for Potato Cutter for 24489	9	61498	Sunk Screw M3x8 for Potato Cutter for 24489	17
61484	Hex Bolt M6x38 for Potato Cutter for 24489	2	61492	Connecting Screw Rod for Potato Cutter for 24489	10	61499	Blade Plate for Potato Cutter for 24489	18
61485	Tightening Nut M6 for Potato Cutter for 24489	3	61493	Guide Frame for Potato Cutter for 24489	11	61500	Blade Support for Potato Cutter for 24489	19
61486	Hex Nut M8 for Potato Cutter for 24489	4	61494	Half-Round Screw M8x24 for Potato Cutter for 24489	12	24243	Blade and Pusher for Potato Cutter 1/4" for 24489	20
61487	M Support for Potato Cutter for 24489	5	61495	Lightened Spring Washer 8 for Potato Cutter for 24489	13	61501	Connecting Rod for Potato Cutter for 24489	21
61488	Board for Potato Cutter for 24489	6	61496	Bush Board for Potato Cutter for 24489	14	61502	Half-Round Screw M5x10 for Potato Cutter for 24489	22
61489	Hex Bolt M10x135 for Potato Cutter for 24489	7	61497	Square Frame Support for Potato Cutter for 24489	15			
61490	Hex Nut M10 for Potato Cutter for 24489	8	79585	Butterfly Nut for 24489	16			

Parts Breakdown

Item 24598

Item No.	Description	Position	Item No.	Description	Position	Item No.	Description	Position
61483	Handle for Potato Cutter for 24598	1	61491	Connecting Rod for Potato Cutter for 24598	9	61498	Sunk Screw M3x8 for Potato Cutter for 24598	17
61484	Hex Bolt M6x38 for Potato Cutter for 24598	2	61492	Connecting Screw Rod for Potato Cutter for 24598	10	61499	Blade Plate for Potato Cutter for 24598	18
61485	Tightening Nut M6 for Potato Cutter for 24598	3	61493	Guide Frame for Potato Cutter for 24598	11	61500	Blade Support for Potato Cutter for 24598	19
61486	Hex Nut M8 for Potato Cutter for 24598	4	61494	Half-Round Screw M8x24 for Potato Cutter for 24598	12	24245	Blade and Pusher for Potato Cutter 1/2" for 24598	20
61487	M Support for Potato Cutter for 24598	5	61495	Lightened Spring Washer 8 for Potato Cutter for 24598	13	61501	Connecting Rod for Potato Cutter for 24598	21
61488	Board for Potato Cutter for 24598	6	61496	Bush Board for Potato Cutter for 24598	14	61502	Half-Round Screw M5x10 for Potato Cutter for 24598	22
61489	Hex Bolt M10x135 for Potato Cutter for 24598	7	61497	Square Frame Support for Potato Cutter for 24598	15			
61490	Hex Nut M10 for Potato Cutter for 24598	8	79585	Butterfly Nut for 24598	16			



Warranty Registration

Thank you for purchasing an Omcan product. To register your warranty for this product, complete the information below, tear off the card at the perforation and then send to the address specified below. You can also register online by visiting:

Merci d'avoir acheté un produit Omcan. Pour enregistrer votre garantie pour ce produit, complétez les informations ci-dessous, détachez la carte au niveau de la perforation, puis l'envoyer à l'adresse spécifiée ci-dessous. Vous pouvez également vous inscrire en ligne en visitant:

Gracias por comprar un producto Omcan usted. Para registrar su garantía para este producto, complete la información a continuación, cortar la tarjeta en la perforación y luego enviarlo a la dirección indicada a continuación. También puede registrarse en línea en:

<https://omcan.com/warranty-registration/>

For mailing in Canada

Pour postale au Canada

Por correo en Canadá

OMCAN

PRODUCT WARRANTY REGISTRATION

3115 Pepper Mill Court,
Mississauga, Ontario
Canada, L5L 4X5

For mailing in the US

Pour diffusion aux États-Unis

Por correo en los EE.UU.

OMCAN

PRODUCT WARRANTY REGISTRATION

4450 Witmer Industrial Estates, Unit 4,
Niagara Falls, New York
USA, 14305

or email to: service@omcan.com



Purchaser's Information

Name: _____ Company Name: _____

Address: _____ Telephone: _____

City: _____ Province or State: _____ Postal or Zip: _____ Email Address: _____

Country: _____ Type of Company: _____

Dealer from which Purchased: _____ Restaurant Bakery Deli

Dealer City: _____ Dealer Province or State: _____ Butcher Supermarket Caterer

Invoice: _____ Institution (specify): _____

Other (specify): _____

Model Name: _____ Model Number: _____ Serial Number: _____

Machine Description: _____

Date of Purchase (MM/DD/YYYY): _____ Date of Installation (MM/DD/YYYY): _____

Would you like to extend the warranty? Yes No

Thank you for choosing Omcan | Merci d'avoir choisi Omcan | Gracias por elegir Omcan



Since 1951 Omcan has grown to become a leading distributor of equipment and supplies to the North American food service industry. Our success over these many years can be attributed to our commitment to strengthen and develop new and existing relationships with our valued customers and manufacturers. Today with partners in North America, Europe, Asia and South America, we continually work to improve and grow the company. We strive to offer customers exceptional value through our qualified local sales and service representatives who provide convenient access to over 6,500 globally sourced products.

Depuis 1951 Omcan a grandi pour devenir un des “leaders” de la distribution des équipements et matériel pour l’industrie des services alimentaires en Amérique du Nord. Notre succès au cours de ces nombreuses années peut être attribué à notre engagement à renforcer et à développer de nouvelles et existantes relations avec nos clients et les fabricants de valeur. Aujourd’hui avec des partenaires en Amérique du Nord, Europe, Asie et Amérique du Sud, nous travaillons continuellement à améliorer et développer l’entreprise. Nous nous efforçons d’offrir à nos clients une valeur exceptionnelle grâce à nos ventes locales qualifiées et des représentants de service qui offrent un accès facile à plus de 6500 produits provenant du monde entier.

Desde 1951 Omcan ha crecido hasta convertirse en un líder en la distribución de equipos y suministros de alimentos en América del Norte industria de servicios. Nuestro éxito en estos años se puede atribuir a nuestro compromiso de fortalecer y desarrollar nuevas relaciones existentes con nuestros valiosos clientes y fabricantes. Hoy con socios de América del Norte, Europa, Asia y América del Sur, que trabajan continuamente para mejorar y crecer la empresa. Nos esforzamos por ofrecer a nuestros clientes valor excepcional a través de nuestro local de ventas y representantes de los servicios que proporcionan un fácil acceso a más de 6,500 productos con origen a nivel mundial.

